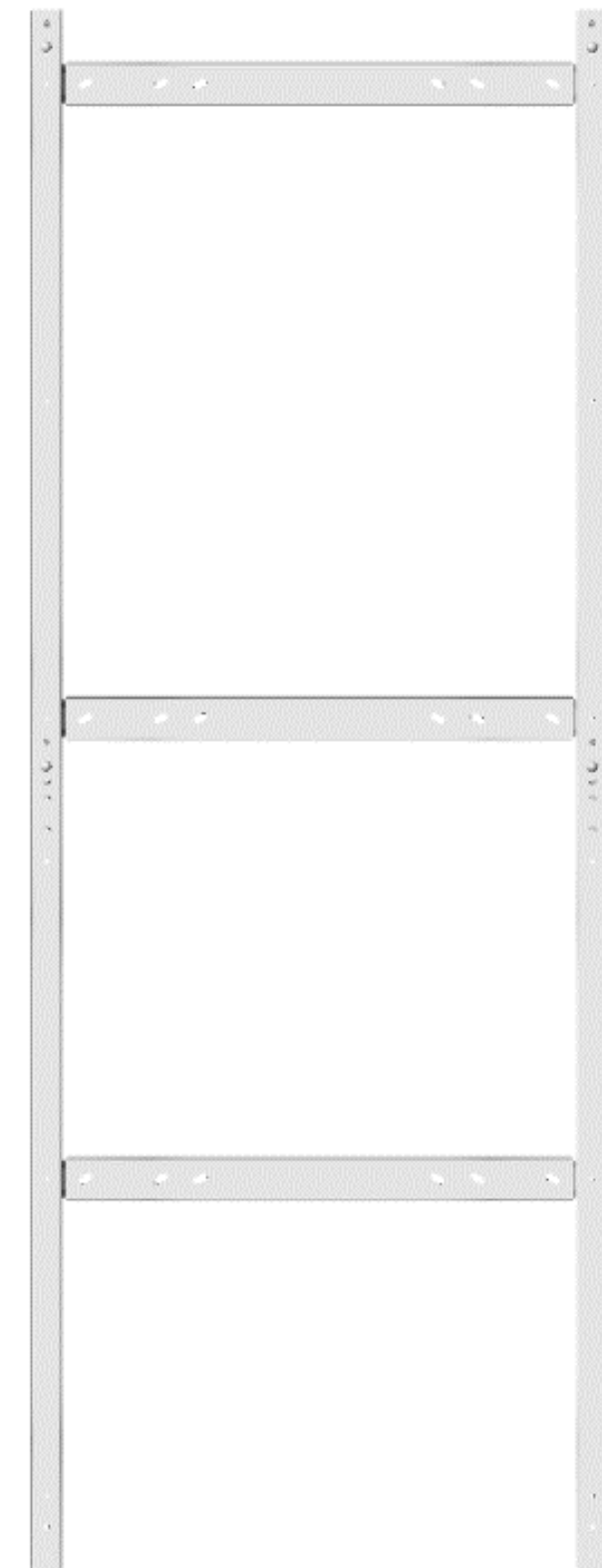
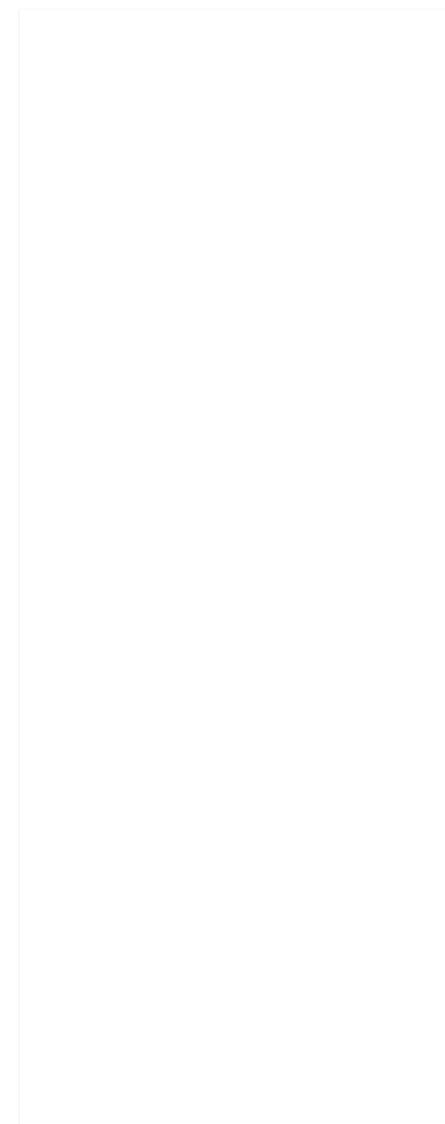


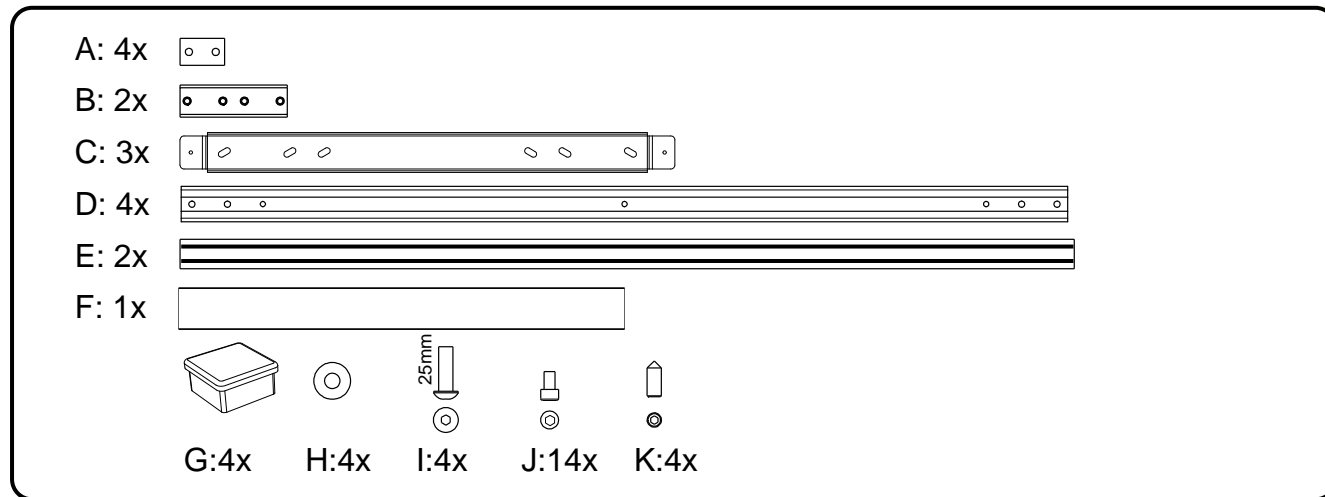
Floor support
for the BalanceBox® 650

BalanceBox®
HEIGHT ADJUSTABLE MOUNTS

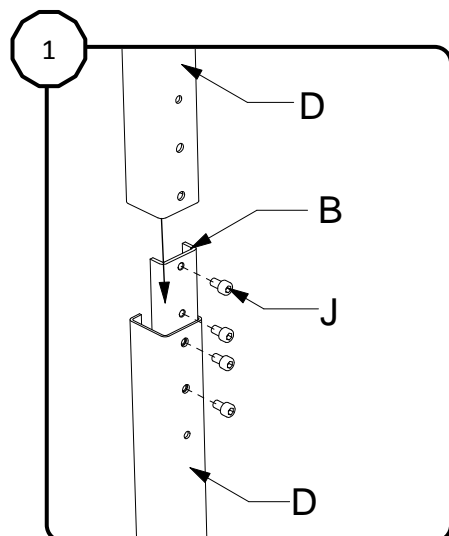
Floorsupport
for the BalanceBox® 650
Installation manual



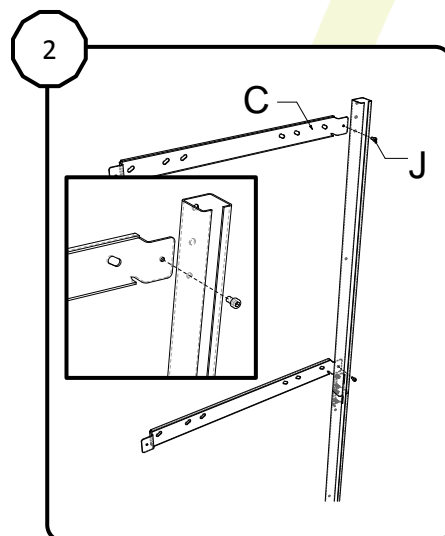
Partnr: 902075-02



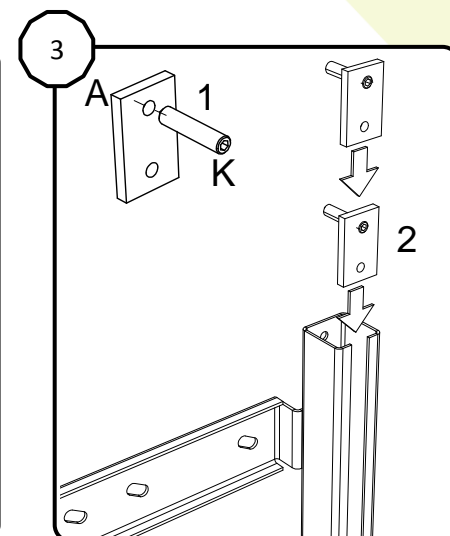
Contents of the box



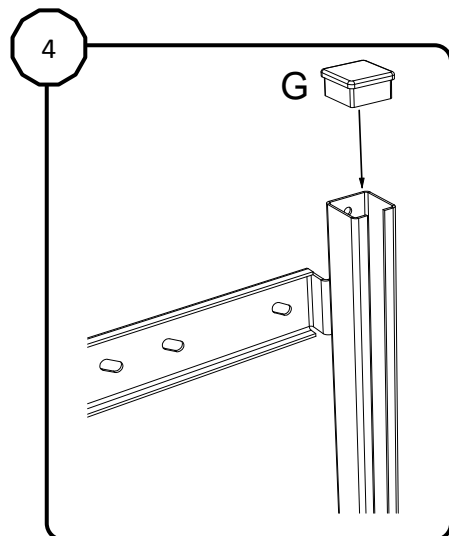
Assemble 2x (● 5 mm)



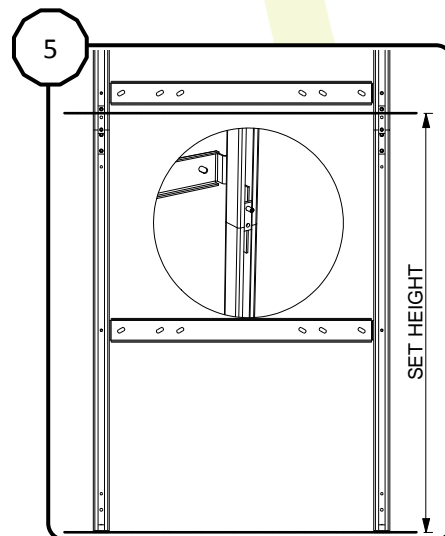
Assemble 6x (● 5 mm)



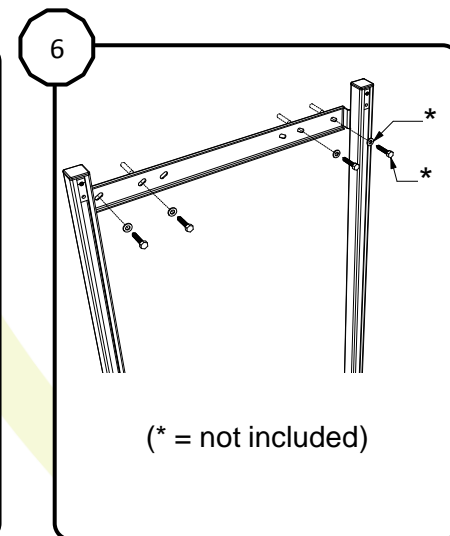
Assemble 4x (● 4 mm)



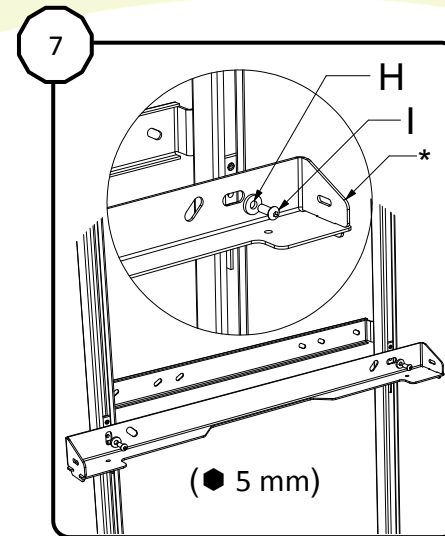
Insert top and bottom cap



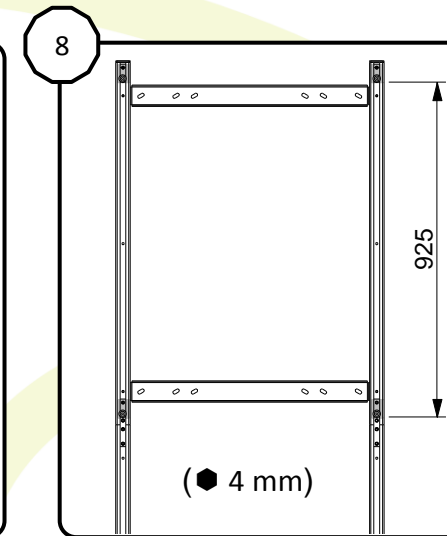
Set height from bottom (730–1055 mm / 28.75"–40.3") and level; fix (● 4 mm)



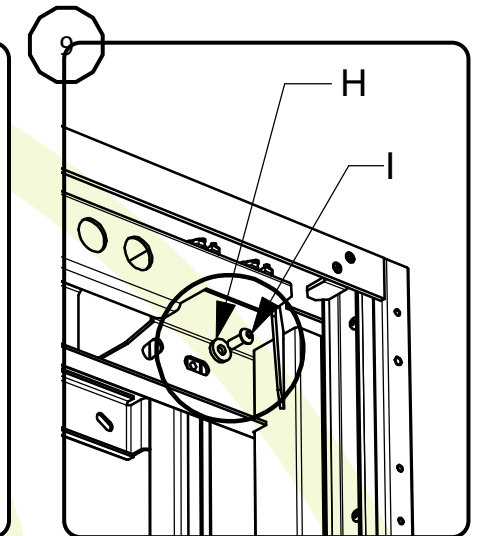
Mount all brackets level to the wall, choose fasteners suitable for type of wall (* = not included)



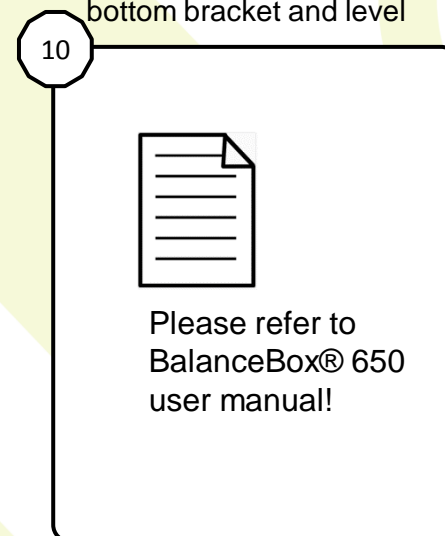
Mount BalanceBox® 650 bottom bracket and level (● 5 mm)



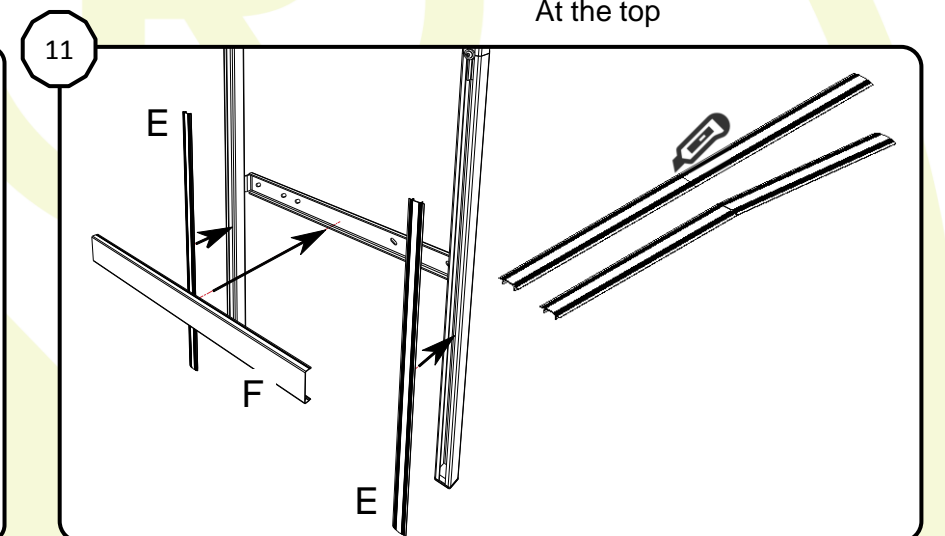
Set height at 925 mm (● 4 mm)



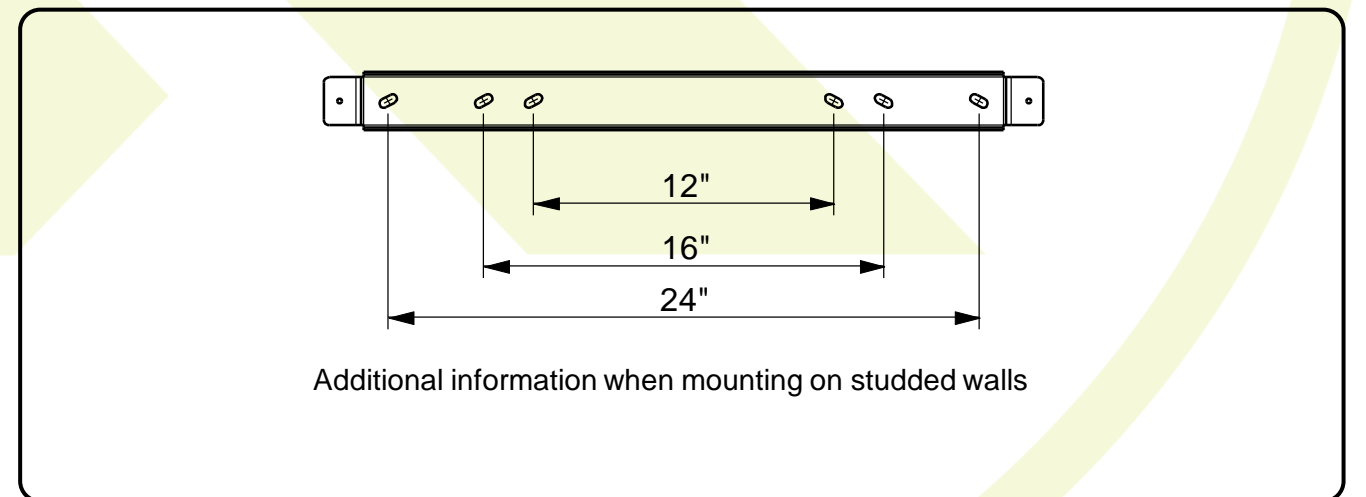
Mount BalanceBox® 650 at the top



Finish mounting BalanceBox® 650 and application



Snap cover strips E (2x) into leg D, mount cover F
Cut cover strips E to length if needed, cut and snap off



Additional information when mounting on studded walls