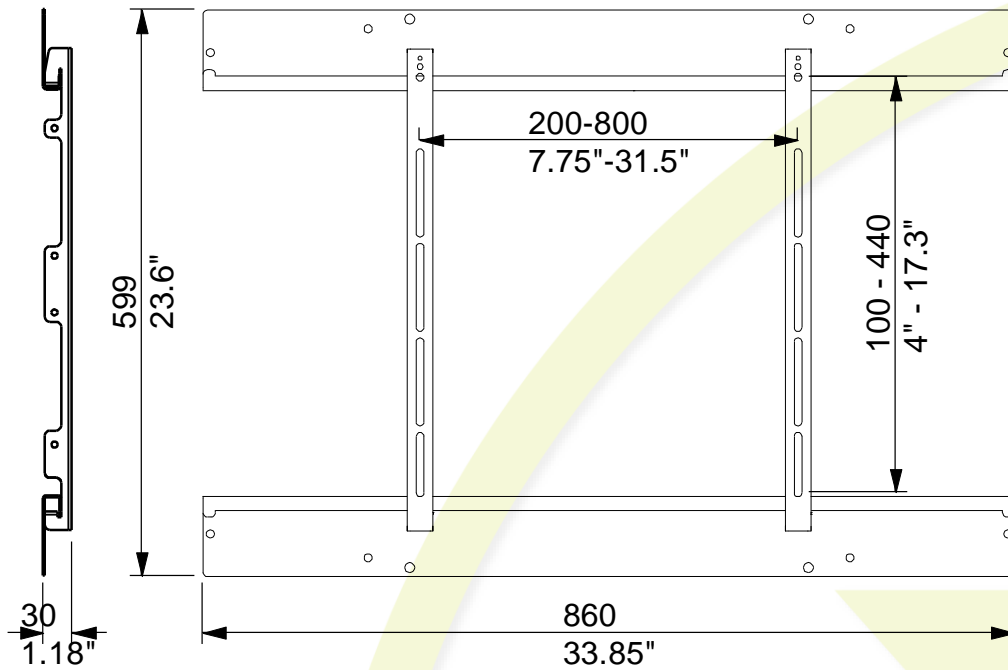
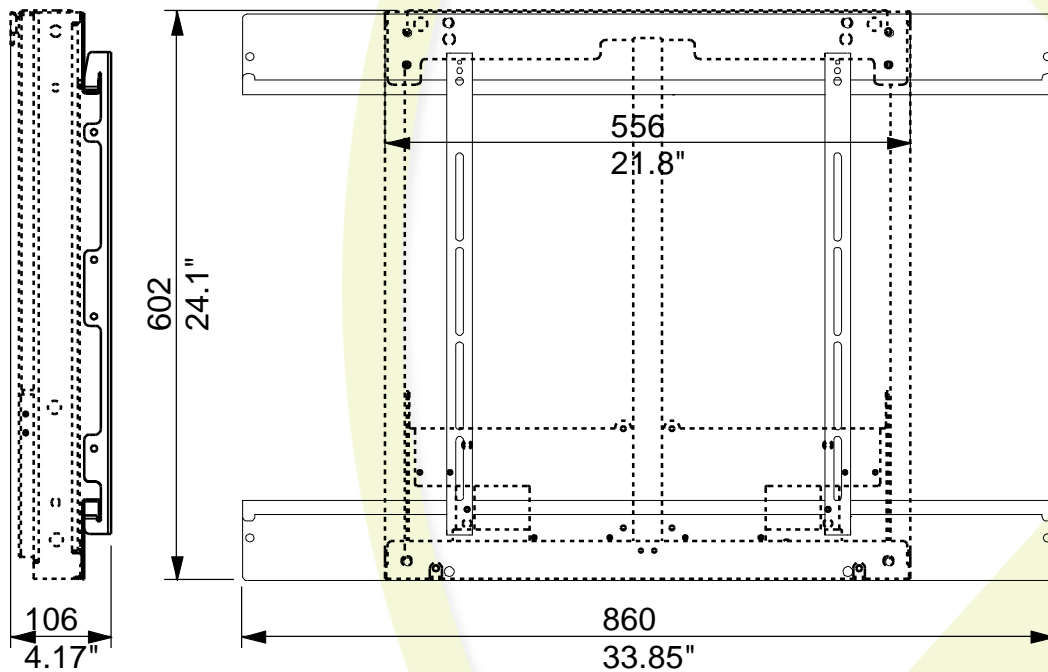


Dimensions:



Dimensions mounted on BalanceBox® 400 (not included)



Screen mounting hardware included metric: M4, M6, M8

Touchscreen Mounting Interface

For the BalanceBox®400
Product Datasheet

Product Specifications				Shipping dimensions				
	metric		US / imperial		metric		US / imperial	
	value	units	value	units	value	units	value	units
Length	860	mm	33.85	inch	885	mm	37.20	inch
Height	599	mm	23.60	inch	145	mm	5.30	inch
Depth	30	mm	1.18	inch	50	mm	1.77	inch
Weight	4,2	kg	9.25	lbs	4,6	kg	10.1	lbs
Max load capacity	95	kg	210	lbs				
Material	Sheet steel							
Finish	Powdercoated black RAL9005							

BalanceBox® 400 Selection guide by screen weight					
metric		US / imperial		Choose BalanceBox®	Order nr.
from - to	units	from - to	units		
<20	kg	<44	lbs	n.a.	n.a.
20-38	kg	44-83	lbs	BalanceBox® 400 - 40	480A13
38-66	kg	83-145	lbs	BalanceBox® 400 - 70	480A12
66-91	kg	145-200	lbs	BalanceBox® 400 - 90	480A14
>91	kg	>200	lbs	Choose BalanceBox® 650	