

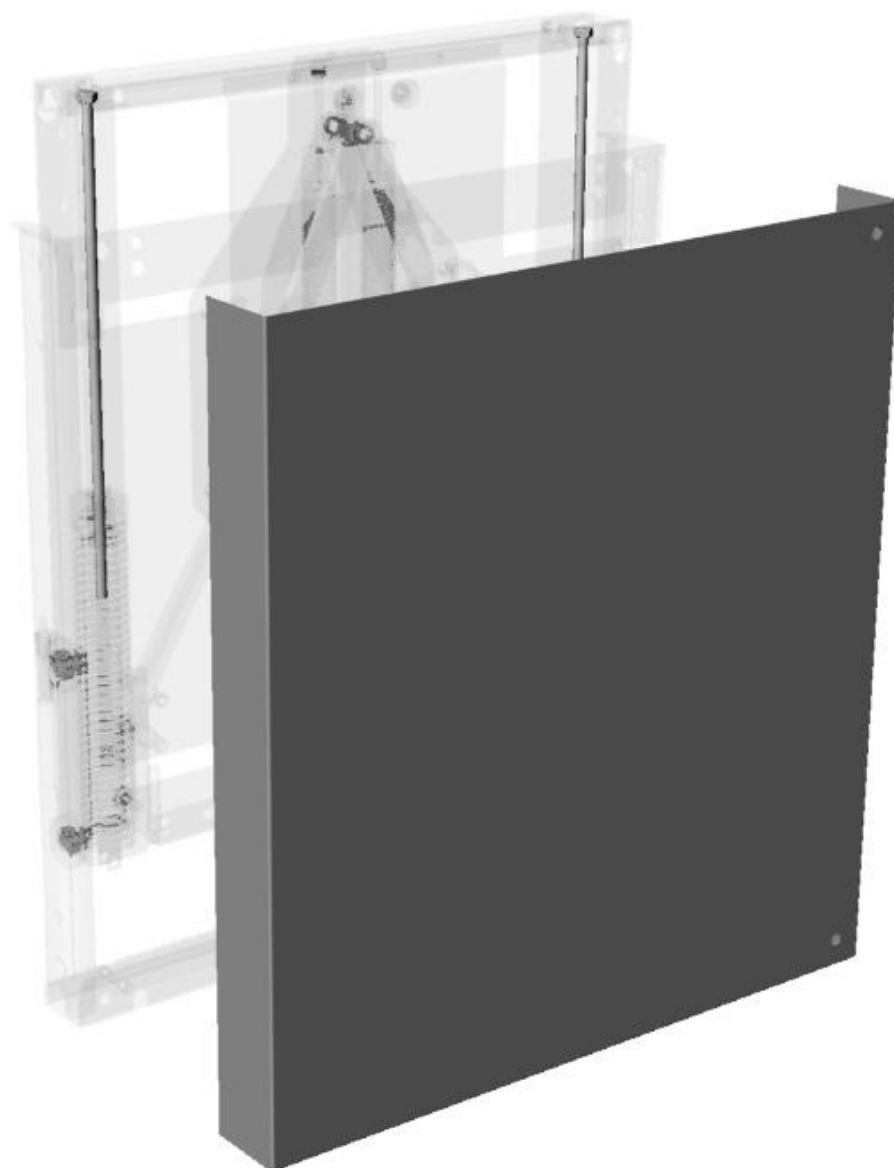
BalanceBox®

REGOUT BALANCE SYSTEMS B.V.

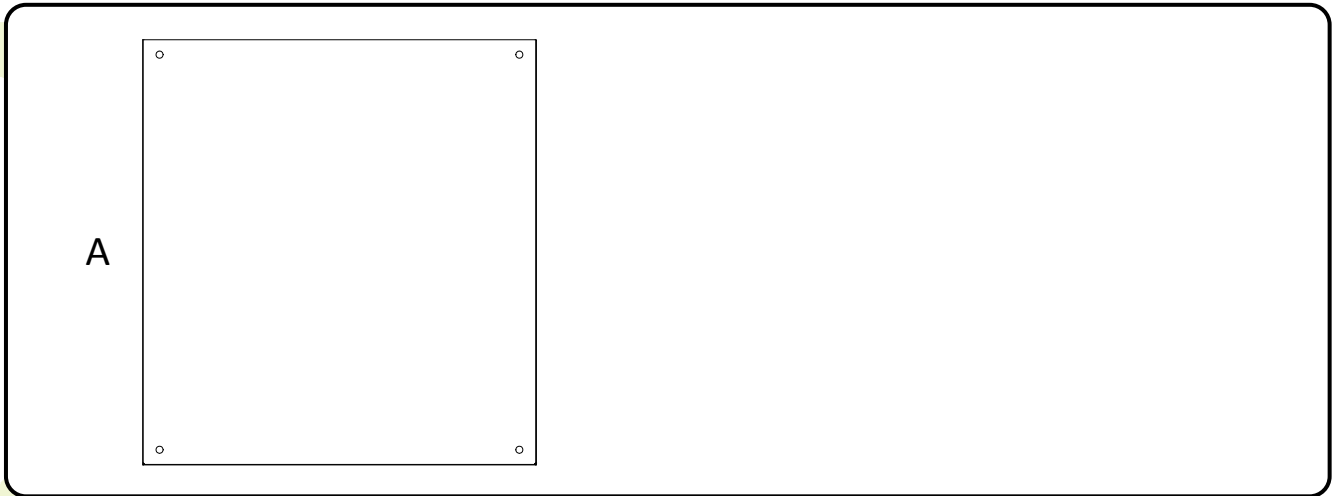
Application frame cover

Stainless steel

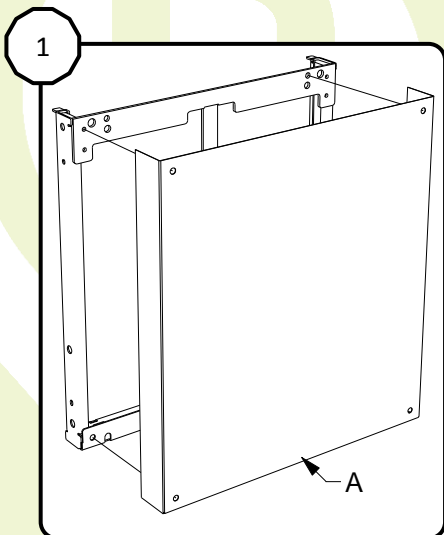
for the BalanceBox® 400
Mounting Instructions



Part nr. 902827-00



Contents of the box



Assemble cover between
BalanceBox® 400 and
application used.



Please refer to
BalanceBox® user
manual!