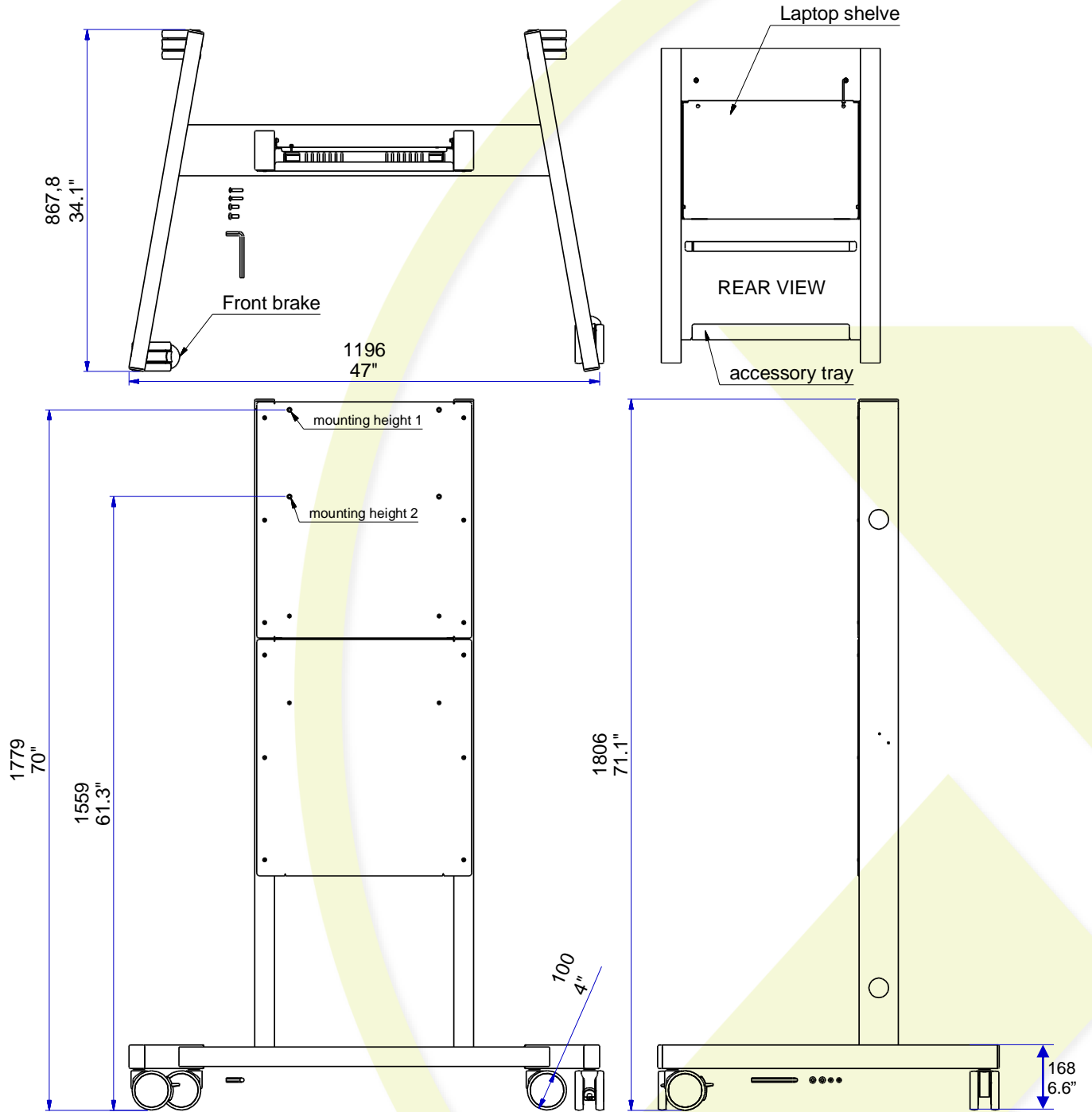


Product Dimensions:

Compatible with:

- BalanceBox® 400
- BalanceBox® 400H

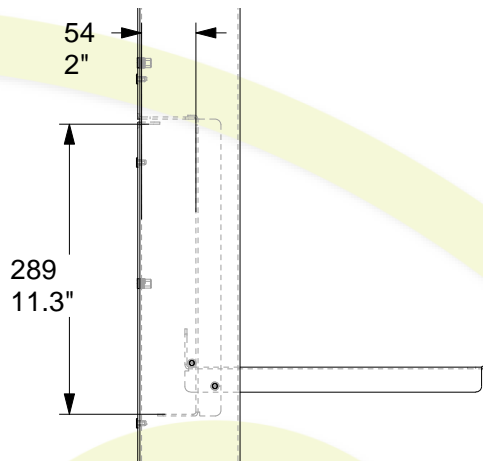
Compatibility with BalanceBox® tilt is limited, please refer to our product warnings sheet.



Rev.02

Mobile stand LWB

For the BalanceBox®400
Product datasheet



Integrated laptop shelf, can be closed with a padlock in up position (padlock not included) for mini computer or laptop.

Product Specifications 481A47002 Mobile stand for BalanceBox® 400				Shipping dimensions				
	metric value	metric units	US / imperial value	US / imperial units	metric value	metric units	US / imperial value	US / imperial units
Length	1806 mm		71.1 inch		1800 mm		70.8 inch	
Width	1196 mm		47 inch		900 mm		35.4 inch	
Depth	868 mm		34.1 inch		180 mm		7 inch	
Weight					47 kg		103.4 lbs	
Wheel diameter	100 mm		4 inch					
Load capacity	125 Kg		275 Lbs					
Material	Steel frame							
Finish	Powder coated in colour: Black RAL9005							

- For BalanceBox 400 for touchpanels 55" to 86" (maximum 90 kg / 198 lbs)
- Use only with BalanceBox accessories or approved 3rd party accessories
- 50mm / 2" holes in frame for cable ducting
- Integrated laptop shelf doubles as lockable mini computer or laptop enclosure (padlock not included)
- 100 mm / 4" black nylon wheels with non marking PU tires
- Product certification: CE and UL Recognized
- (UL 60950-1, Information Technology Equipment - Safety -Part 1: General Requirements, CAN/CSA C22.2 No. 60950-1-07, Information Technology Equipment - Safety - Part 1:General Requirements)