

What is the purpose of this datasheet:

The BalanceBox® 400 and BalanceBox® 650 are very well suited for use with the new Microsoft Surface Hub 55" and 84" products, this datasheet will guide you to make the right choice BalanceBox® and the accessories needed.

BalanceBox® 400 with Microsoft Surface Hub 55"

Solution 1:

Basic items needed:

- Microsoft Surface Hub 55"
- 480A12 BalanceBox® 400 -70
- 481A21 BalanceBox® 400 FLATSCREEN / VESA INTERFACE

Optional accessories:

- 481A42001 BalanceBox® 400 FLOOR SUPPORT
- 481A47001 BalanceBox® 400 MOBILE STAND LWB

Total distance protruding from the wall 190 mm (7.5")

Solution 2:

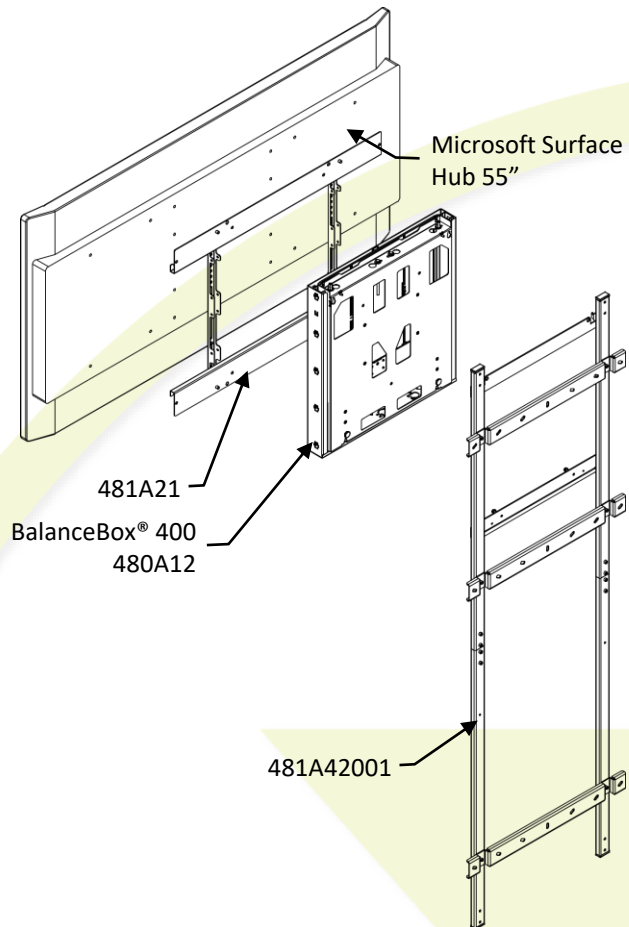
Basic items needed:

- Microsoft Surface Hub 55"
- Microsoft 55" Wall mount
- 480A12 BalanceBox® 400 -70
- 481A41 BalanceBox® 400 3rd PARTY VESA BRACKET INTERFACE

Optional accessories:

- 481A42001 BalanceBox® 400 FLOOR SUPPORT
- 481A47001 BalanceBox® 400 MOBILE STAND LWB

Recommended mounting height for wall bracket BalanceBox® 400 1985 mm (78 ¼") from the floor will give a top edge screen highest position of approximately 2100 mm (82 ½").



BalanceBox® 650with Microsoft Surface Hub 84"

Solution:

Basic items needed:

- Microsoft Surface Hub 84"
- 484A09 BalanceBox® 650-180
- 481A52 BalanceBox® 650 VESA BRACKET 1200

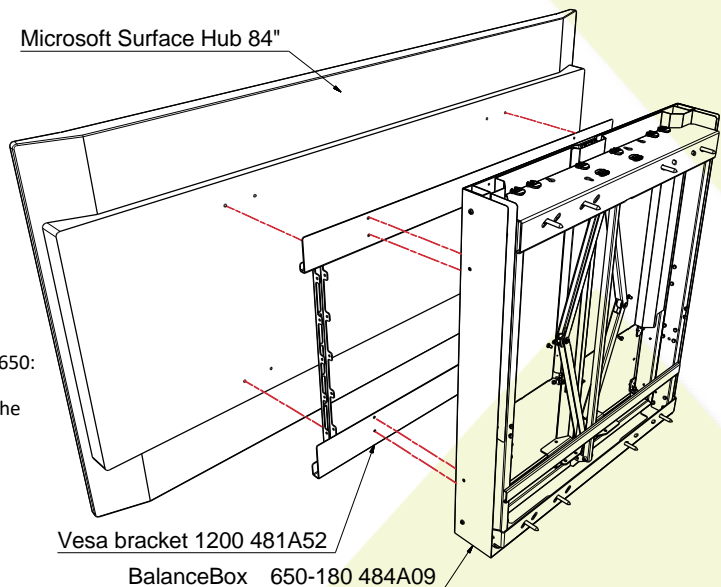
Optional accessories:

- 481A13 BalanceBox® 650 FLOOR SUPPORT
- 481A50 BalanceBox® 650 MOBILE STAND

Guidance on the mounting height for wall the bracket of the BalanceBox® 650:

If the bottom wall bracket is mounted at a height of 1295 mm (51") from the floor this will give you a center screen highest position of approximately 1725mm (67.9") and a lowest center screen position of 42.4" (adjustment range 25.5").

Total distance protruding from the wall appr. 360mm (14 ¼").



If you have any questions please find contact details for your region at: www.heightadjustablemounts.com

