

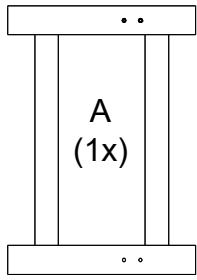
**Installation manual**

Part nr. 902850-02

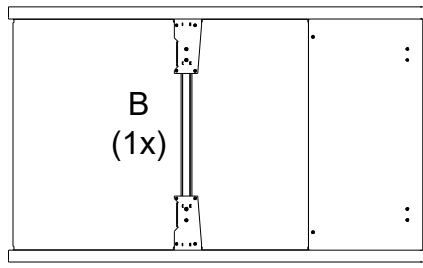
# Mobile stand

For the BalanceBox®650

## The contents of the box



A  
(1x)



B  
(1x)



H  
(10x)



I  
(10x)



J  
(4x)



K  
(12x)



C  
(1x)



D  
(2x)



E  
(2x)



F  
(1x)  
5mm



G  
(1x)  
10mm



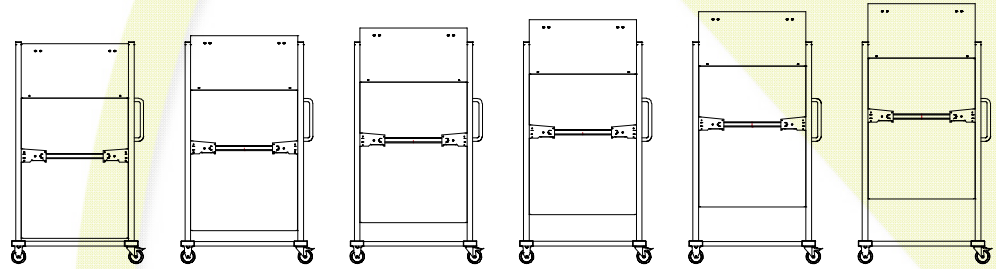
L  
(1x)  
12mm

## Safety Instructions



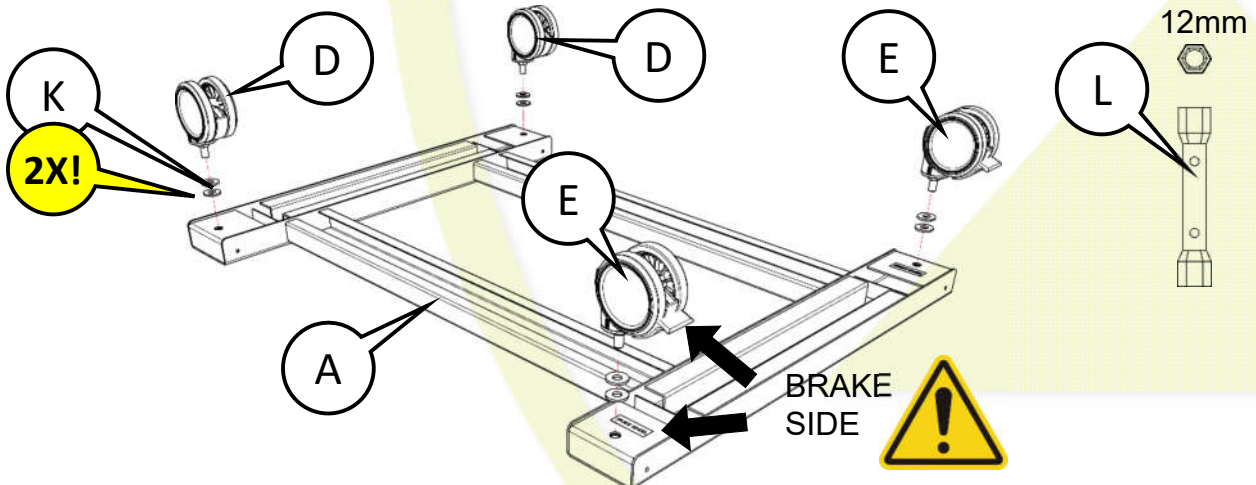
1

Choose frame height and adjust (● 5 mm) refer to separate instruction



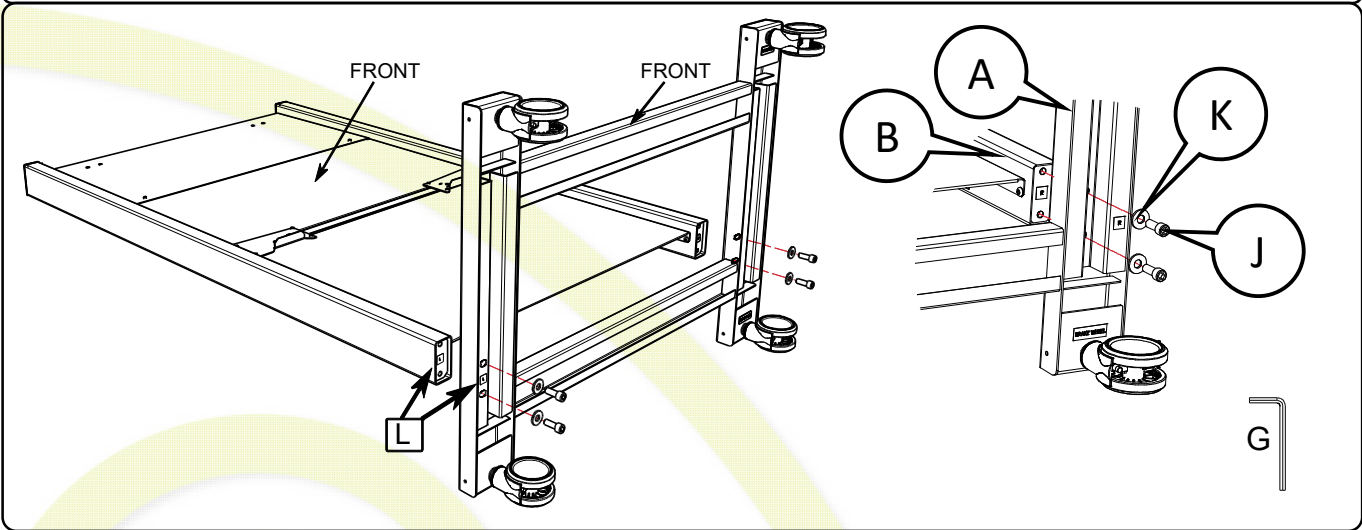
2

Assemble the wheels on the wheel frame, **ADD 2 WASHERS FOR EXTRA HEIGHT**,  
Note: Wheel (E) with brake goes on the side with the sticker. **TIGHTEN WELL** use 12 mm pipe-wrench (L)

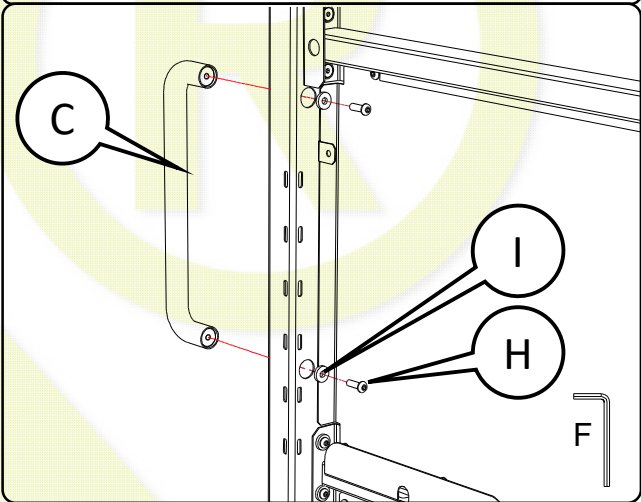


1

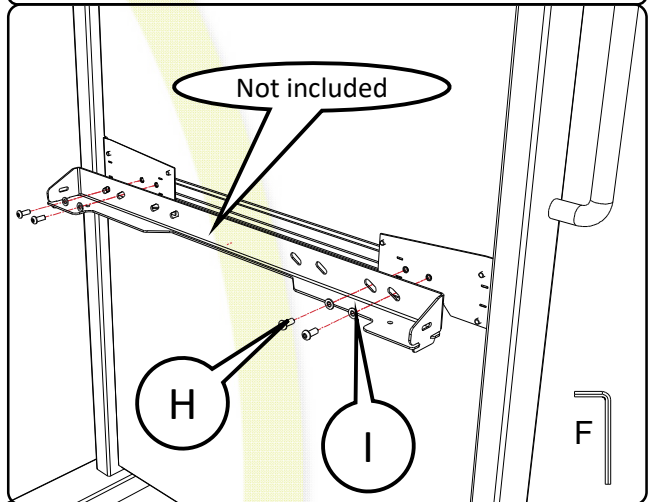
**3** Assemble wheelframe (A) and top frame (B) from the bottom. Match the left (L) and right (R) labels on wheelframe and topfram, tighten well (● 10 mm)



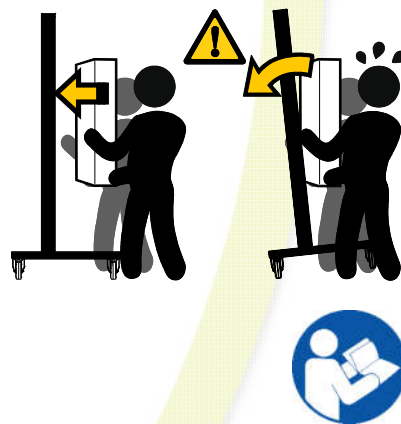
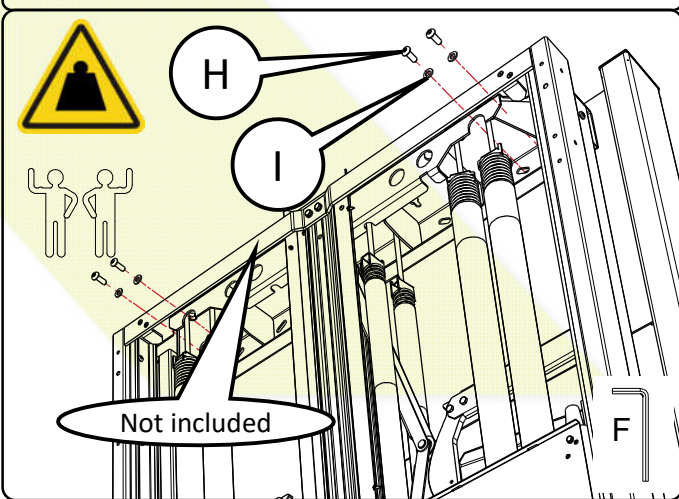
**4** Assemble the handle (C) to the frame (● 5 mm)



**5** Mount the BalanceBox®650 wall bracket to the frame as shown (● 5 mm)



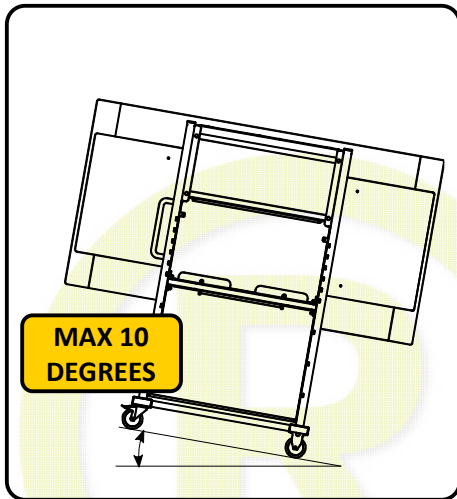
**6** Mount the BalanceBox®650 on the wall bracket and assemble the screws at the top (● 5 mm)



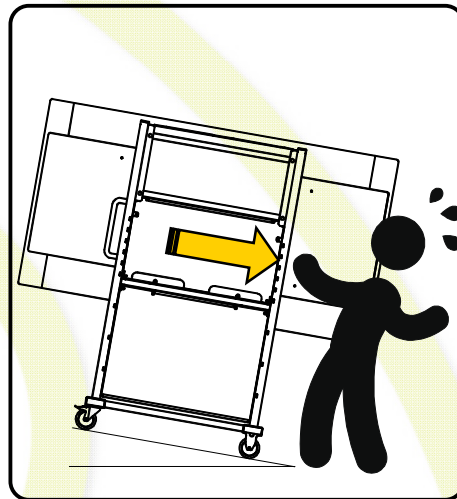
**CAUTION**  
MOBILE STAND IS UNSTABLE IN BACKWARD DIRECTION DURING INSTALL

**NOTE:**  
REFER TO BALANCEBOX® 650 INSTALLATION MANUAL TO CONTINUE





**WARNING MAXIMUM SLOPE**



**WARNING DO NOT PULL DOWN SLOPE**



**STAY ABOVE CART WHEN MOVING DOWN SLOPE**

**ALWAYS USE THE HANDLE WITH BOTH HANDS TO MOVE THE CART**



**CAUTION**

This cart is intended for use with a BalanceBox® height adjustable mount and flat screen or touchscreen TV or Interactive whiteboard weighing not more than:

**372 Lbs (169 kg).**

Use with other products may result in instability causing possible injury.



**CAUTION**

“This cart is Intended for use only with the maximum weights indicated. Use with products heavier than the maximum weights indicated may result in instability causing possible injury.”