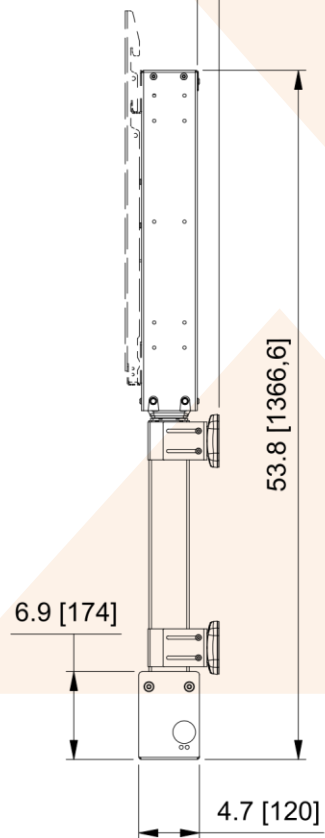


1.7 [43,3] - 4.06 [103,3]



\*VESA bracket 481A70 as shown in the pictures is optional



**e-Box® II Wall features:**

- Wall mount with motorized height adjustment
- Double anti-collision safety feature
- 25.6" / 650mm travel at a speed of 1.5" / 38 mm per second
- 440.9 lbs / 200 kg weight capacity maximum panel size 98" diagonal
- Two depth adjustable wall brackets including covers
- Bottom tray for optional floor fixation
- Wired remote control with 3 programmable presets
- Prepared for use with e-Box® VESA bracket or third party VESA mounts (not included)
- Top-Box design accommodates:
  - Cable management and room for Power Strip
  - A VESA pattern for mini-PC or NUC
  - A 16" / 400 mm mounting pattern
  - Mounting patterns for optional Accessories
- Mounting hardware for panels included

**Optional accessories:**

- Winx-4b side mounting Whiteboard frame
- Top mounting Video Conferencing camera bracket
- Side mounting laptop or document camera tray

Dimensions	Length	Width	Height	Weight
Product dimensions (without screen)	22.83" [580 mm]	6.26" [159 mm]	53.8" [1366,6 mm]	102.5 lbs. [46,5 kg]
Shipping dimensions (boxed)	31.5" [800 mm]	23.6" [600 mm]	10.4" [264 mm]	110.7 lbs. [50,2 kg]

Technical specifications	
Travel	25.6" [650 mm]; Speed 1.5"/sec. [38 mm/sec.]
Maximum weight capacity / screen size	440.9 lbs. [200 kg] Maximum Panel size: 98" diagonal
VESA bracket / screen interface	Standard 400x400 mm and 16" [400mm] mounting pattern For panels with VESA patterns other than 400x400: order e-Box® VESA bracket part nr. 481A70 Or use a compatible 3rd party VESA mount. (Compatible with Promethean WALLMNT-2, SMART WM-SBID 200 and Viewsonic WMK-047-2)
Safety / certification	Dual Anti-collision feature; CE
Material and color	Steel structural parts, powder coated Black RAL9005
Controls	Wired remote control for screen-edge mounting with 3 programmable presets
Electric	110-240V, 50-60Hz; 10% duty cycle (6min/hour); Power consumption max 300W; Stand-by power consumption 0,1 W 12' [3,6 meter] Power leads for USA and Europe included (C13/type-B and C13/type-E)

© COPYRIGHT – Datasheet A000000853 (revision 00) – note: product specifications may change without prior notice.