

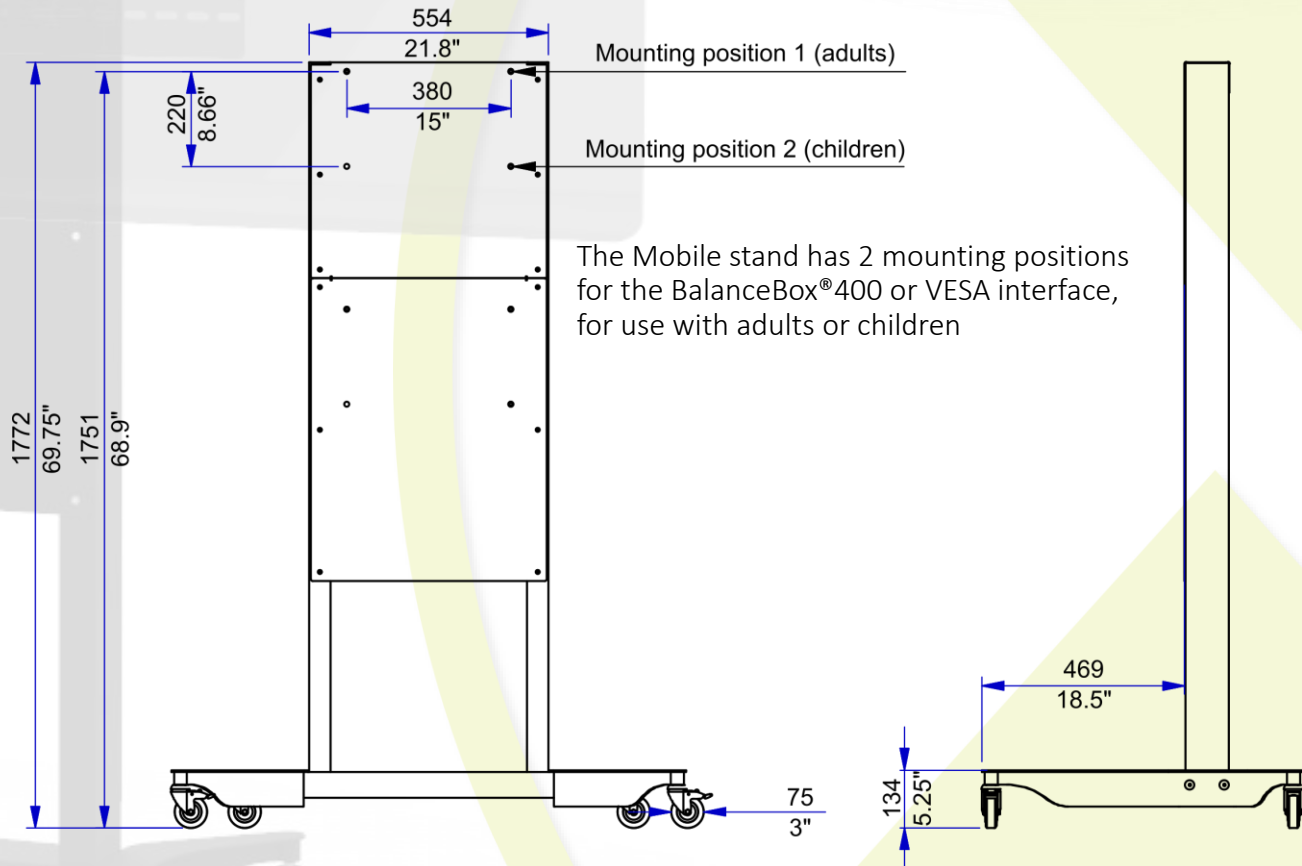
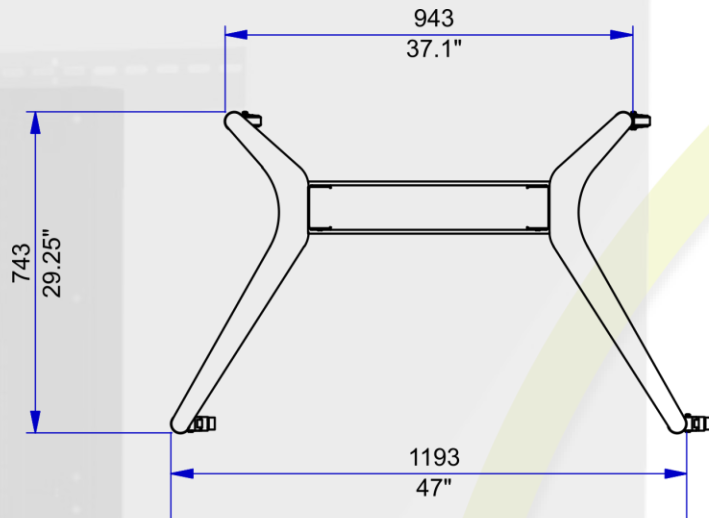
Mobile Stand

for BalanceBox® 400

Product datasheet

The Mobile Stand can be used with the BalanceBox®400 height adjustable mount system or with the VESA interface bracket (481A70) mounted directly on the stand. The Mobile stand is suitable for panels up to 86" diagonal.

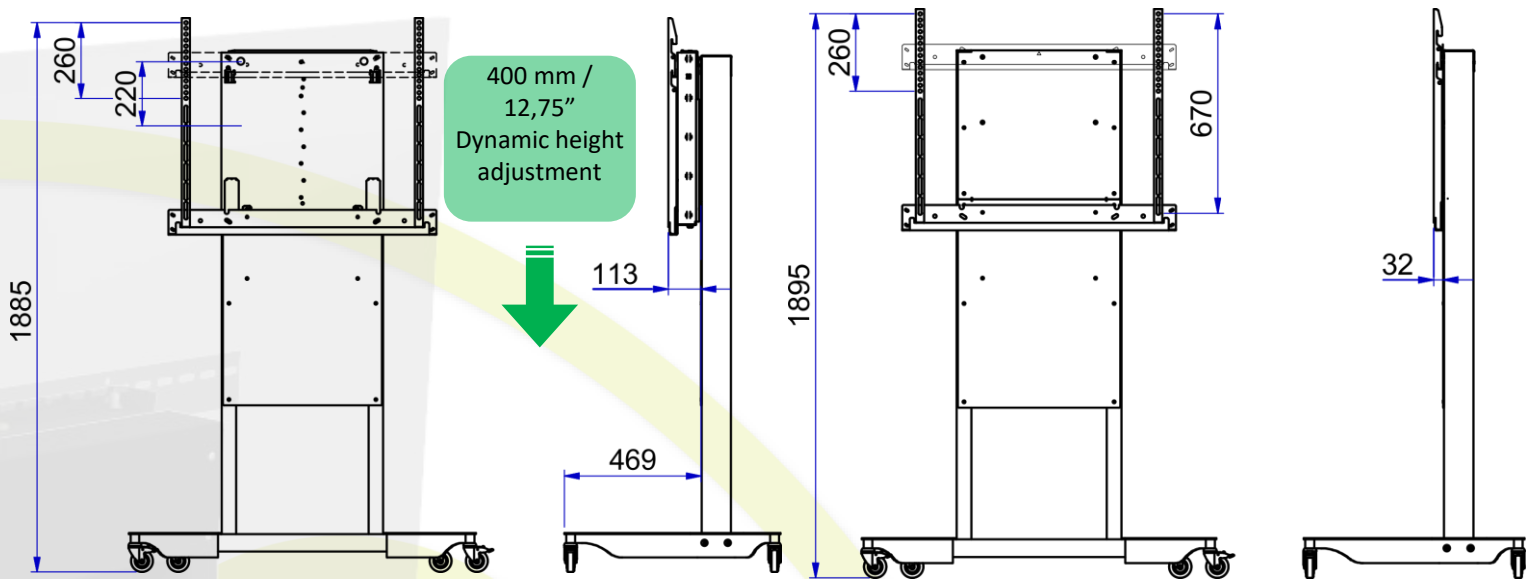
Dimensions:



Article number	Product description
481A71001	Standard mobile stand with \varnothing 75mm/3" steel castors, 2x brake and 2x without brake

Mobile Stand

for BalanceBox® 400



Dimensions of the Mobile Stand 481A71 with BalanceBox®400 height adjustable mount and with VESA interface bracket 481A70 (both not included)

Dimensions of the Mobile Stand 481A71 with VESA interface bracket 481A70 (not included) mounted directly

Product Specifications					Shipping dimensions			
	value	metric units	US / imperial		value	metric units	US / imperial	
			value	units			value	units
Height	1772	mm	69.75	inch	1770	mm	69.7	inch
Width	1193	mm	47	inch	635	mm	25	inch
Depth	743	mm	29.25	inch	145	mm	5.7	inch
Weight	49	kg	108	lbs	55	kg	121	lbs
Load capacity	175	kg	385	lbs	10 Units per pallet			
Material	<ul style="list-style-type: none"> Steel 							
Finish	<ul style="list-style-type: none"> Powdercoated colour Black RAL9005 textured 							

