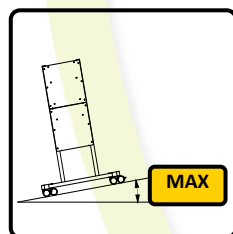
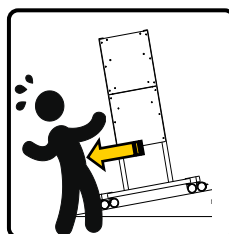


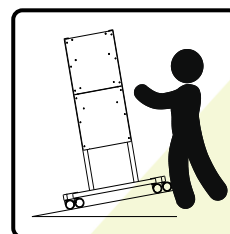
**Important  
warnings  
before use**



**WARNING  
MAXIMUM SLOPE 10  
DEGREES**




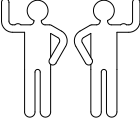
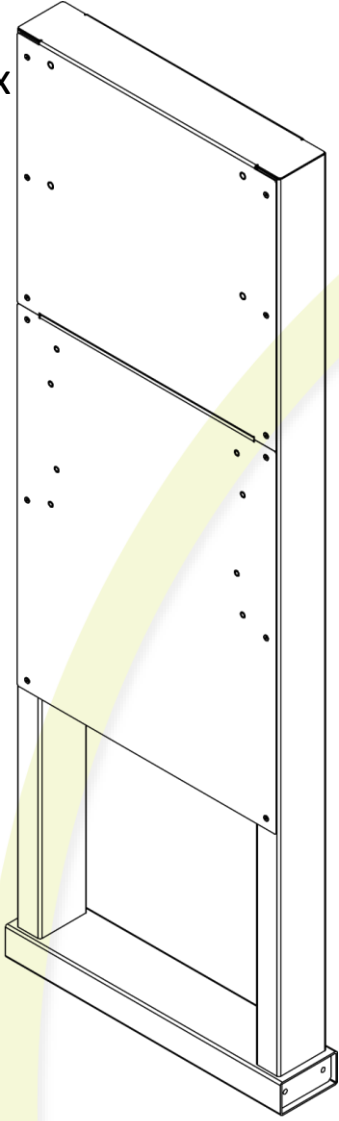
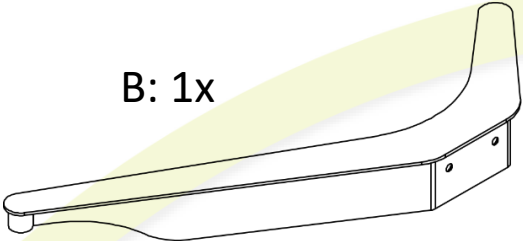
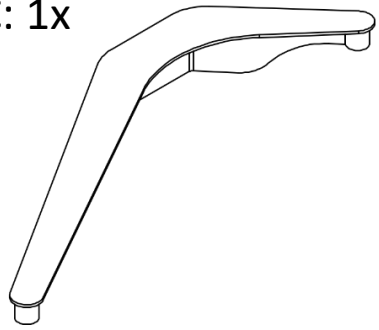
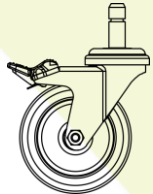
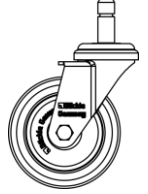
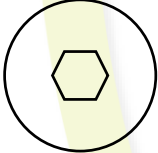




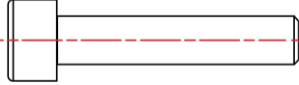

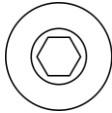
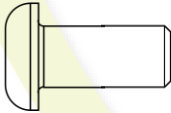

**WARNING  
DO NOT PULL DOWN  
SLOPE**



**STAY ABOVE CART  
WHEN MOVING  
DOWN SLOPE**

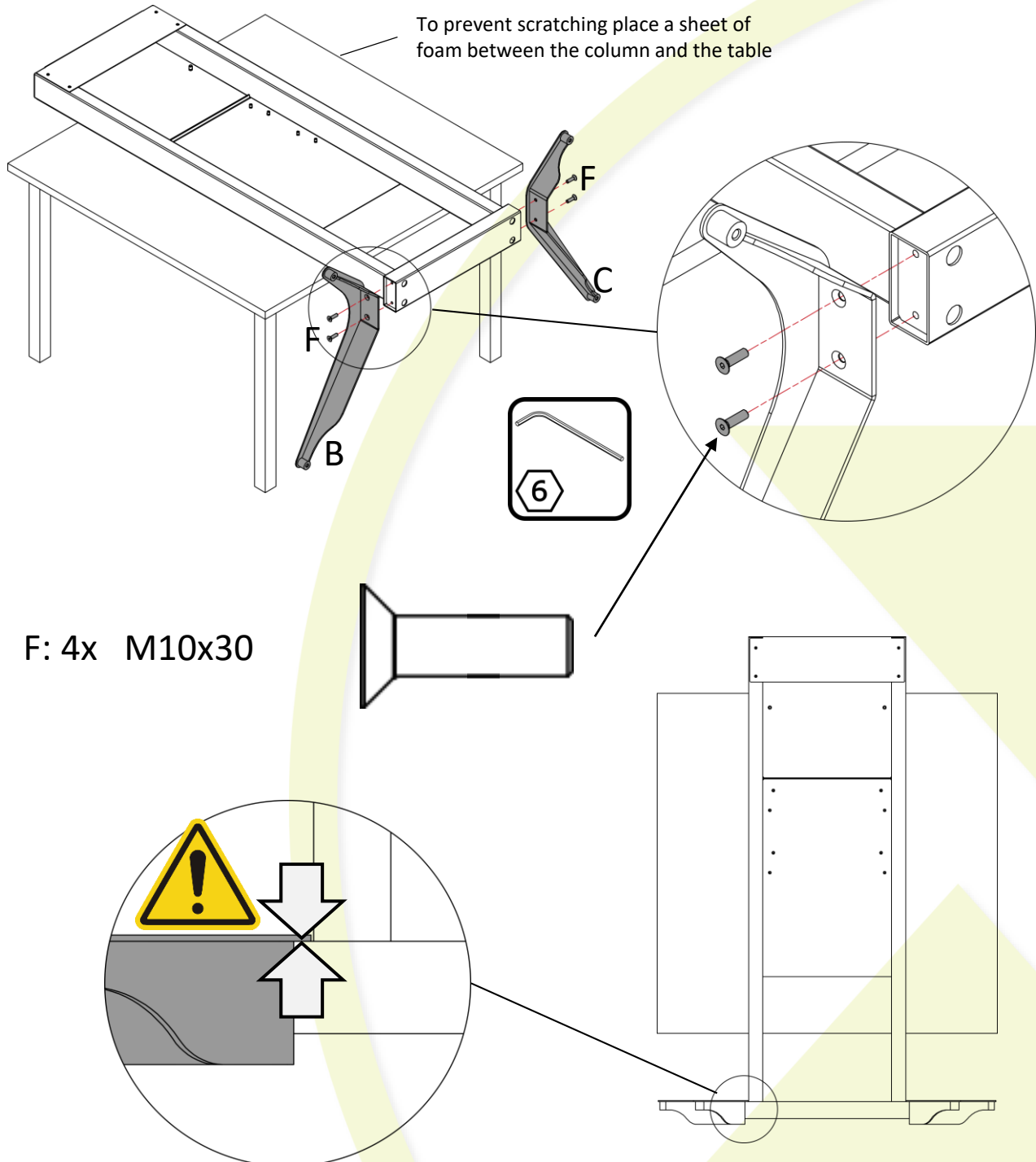
**Installation manual**

Part nr. 902918-04

Safety Instructions	What's in the box	
 	<p>A: 1x</p> 	<p>B: 1x</p>  <p>C: 1x</p>  <div style="border: 1px solid black; padding: 5px; margin-top: 10px;"> <p>Ø75 mm / Ø3" Casters</p> <p>D: 1x</p>   <p>E: 1x</p>  </div>
<p>F: M10x30</p>    <p>1x</p> 		
<p>G: 2x M6x30</p>   		
<p>H: 2x M8x20</p>   		

1

**Assemble the wheelbase and column**

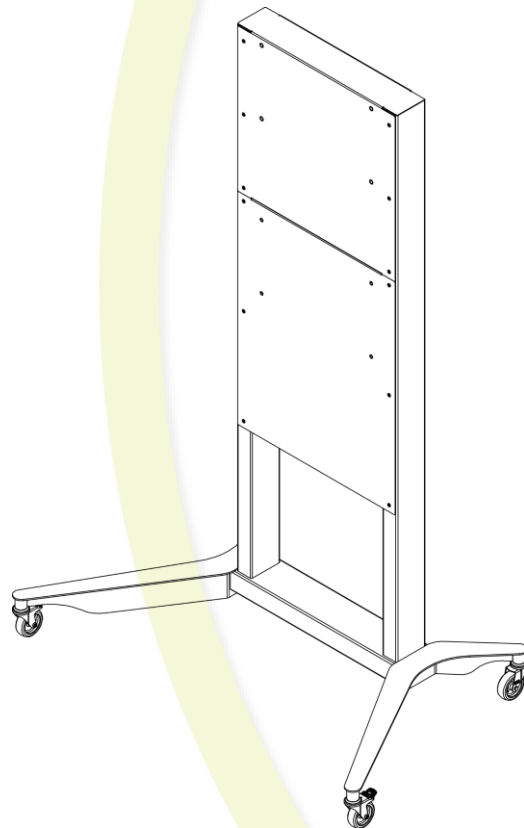
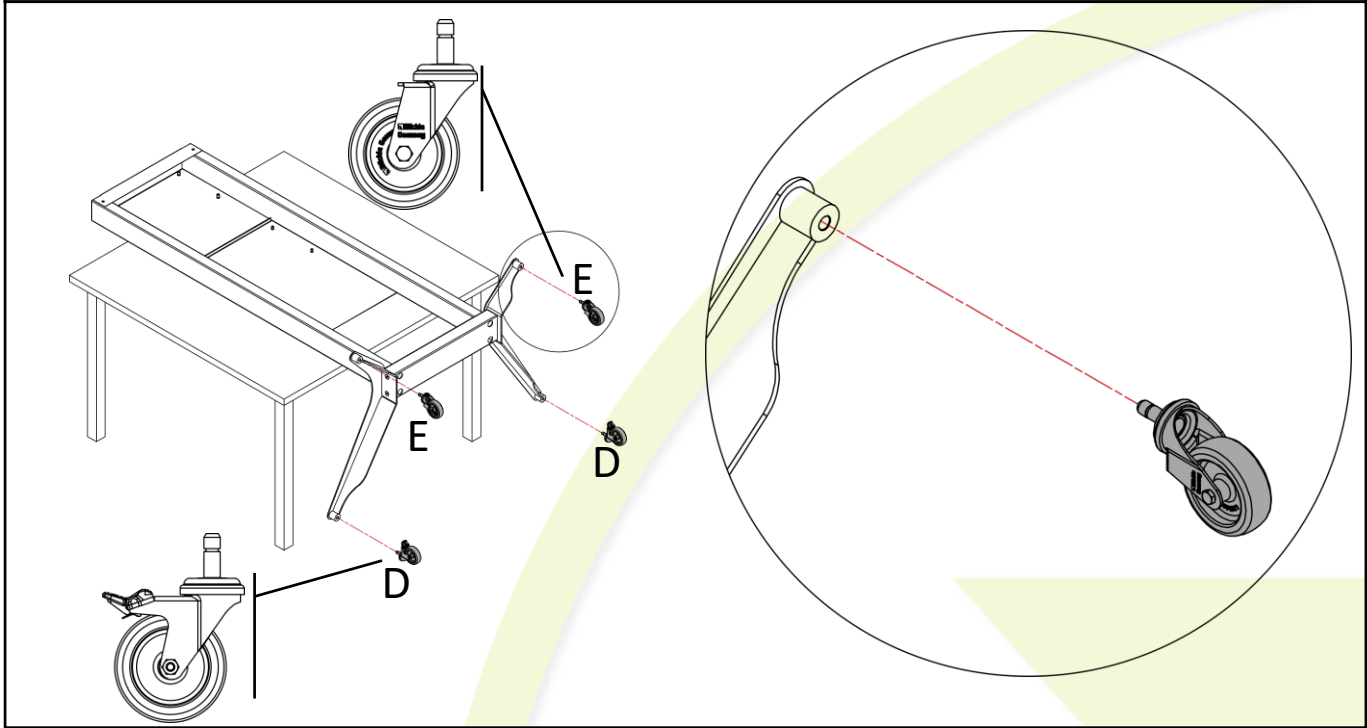


3

Part nr. 902918-04

2

**Mount the casters**

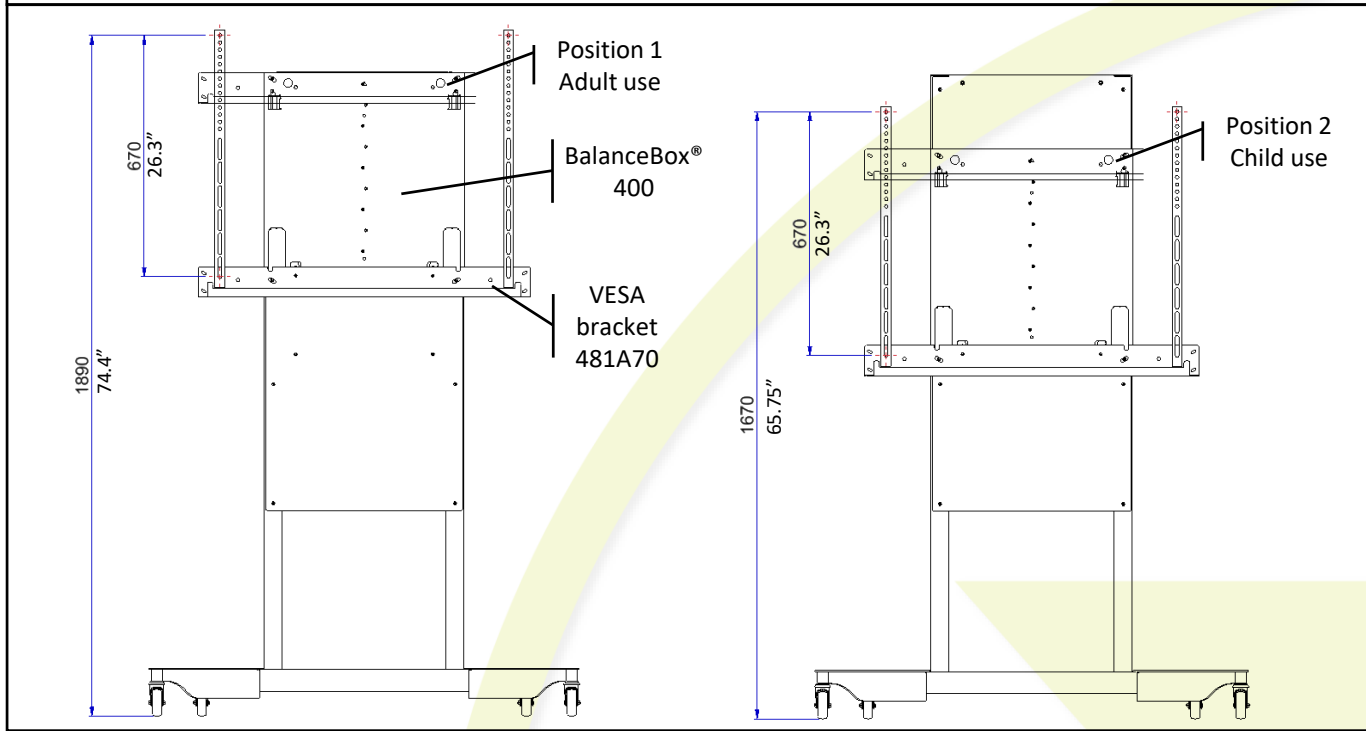


4

Part nr. 902918-04

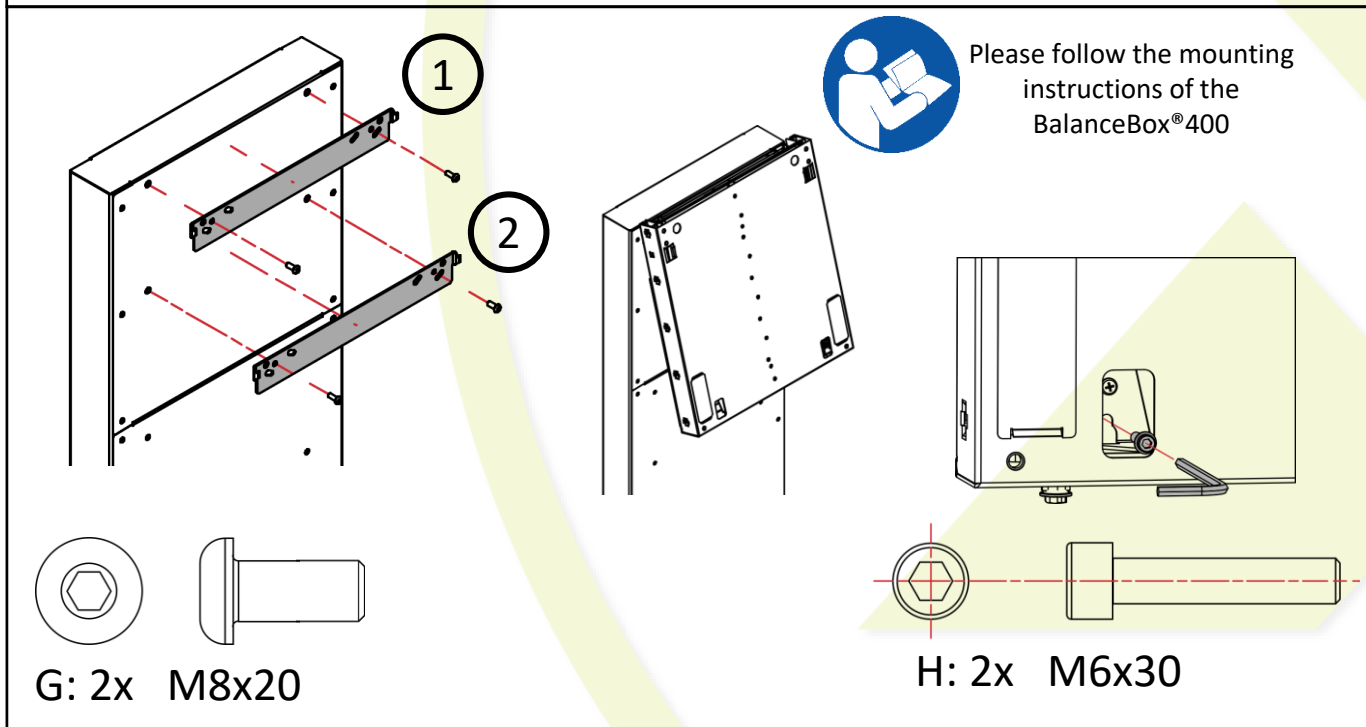
3

**Mounting BalanceBox®400 on the Mobile stand**  
(not included)



4

Mount the BalanceBox®400 at the desired position

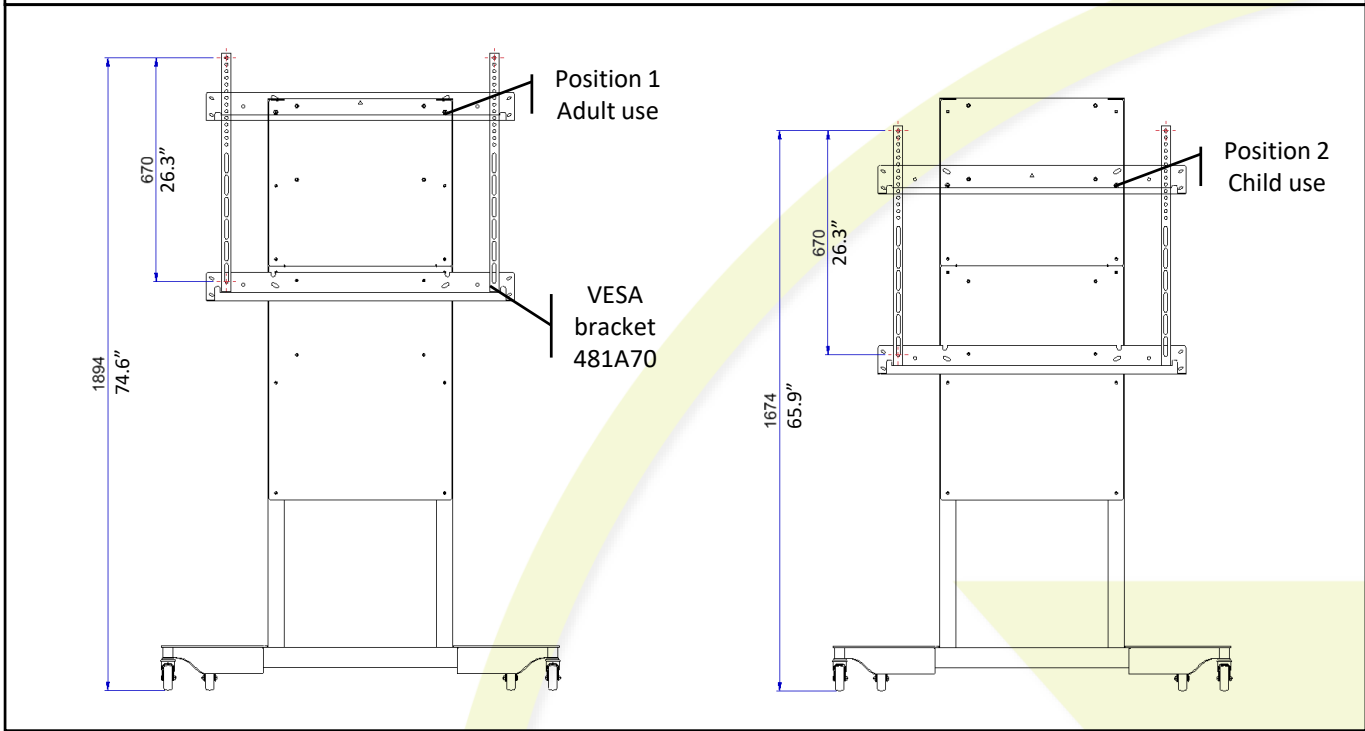


Part nr. 902918-04

5

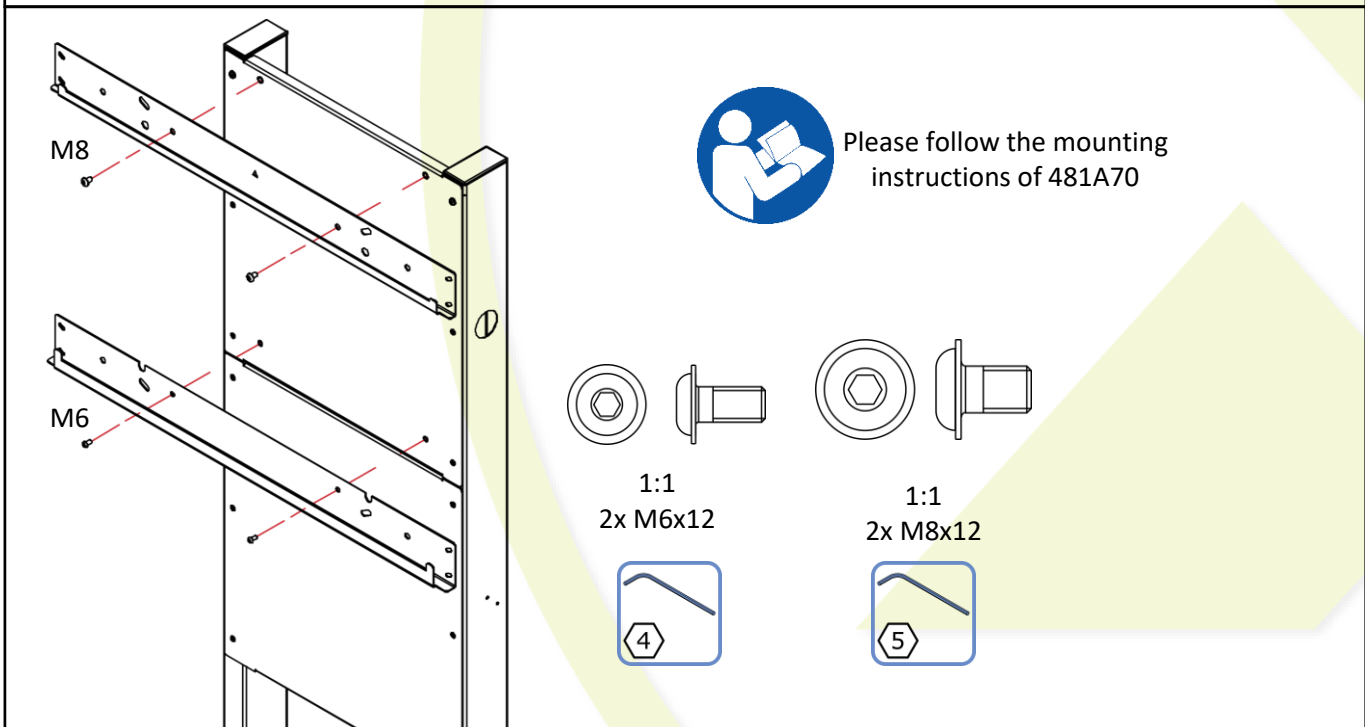
5

**Mounting VESA bracket 481A70 on the Mobile Stand**  
(not included)



6

Mount the VESA bracket 481A70



Part nr. 902918-04

6