

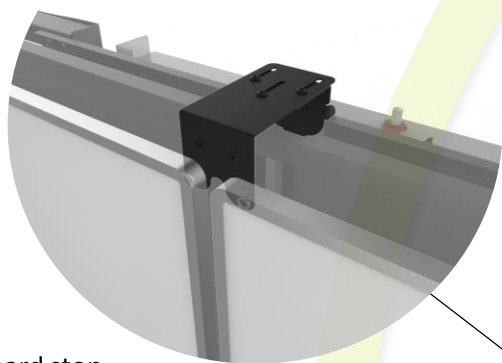
The Winx-4b is one of the whiteboard solutions for the BalanceBox[®] 650 mounting system, next to the Winx-4 and the Winx-6 whiteboard solutions.

This unique 2-whiteboard, double sided solution can also be retro-fitted to an already installed BalanceBox[®] 650 without removing the touch panel. (please consult our sales support for possibilities and advice)

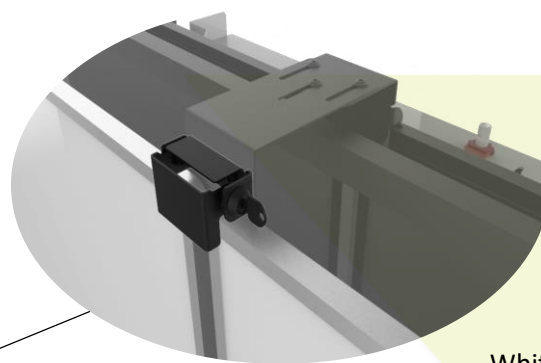
The Winx-4b is delivered including our Universal VESA Bracket with a VESA pattern up to 800x600 (Art.no. 481A70). The two fixed size whiteboard frames can be used with screen sizes between 70-75" and 80-86".

The quality enameled steel double-sided pivoting whiteboard surfaces on both sides of the touchscreen are mounted easily and quickly on the BalanceBox[®] 650 height adjustable mount, the fastest height adjustable mount on the market! The high quality whiteboard surfaces allow the use of magnets for posting notes.

Winx-4b features:



Winx-4b
Magnet whiteboard stop
(included)



Winx-4b
Whiteboard Lock
(Sold separately, article number 481A80)



Winx-4b Adjustable
Whiteboard Hinge
(4x included)



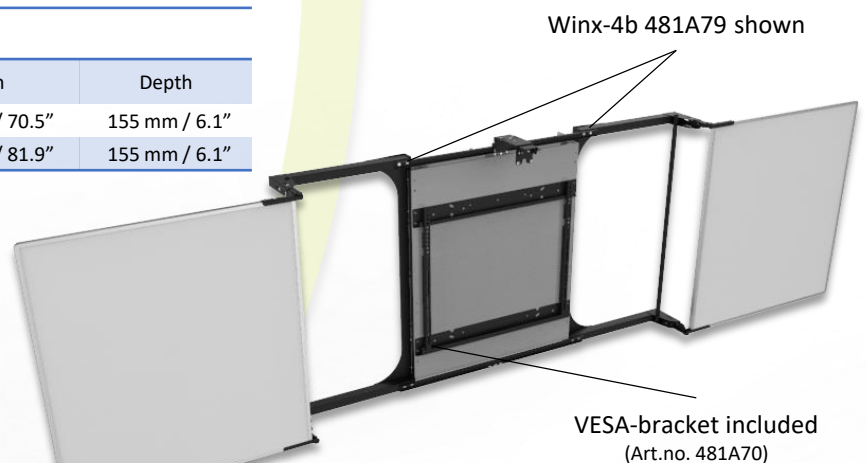
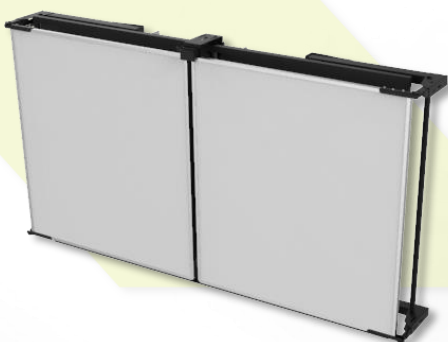
Technical specifications

Materials and colors	Welded steel frame: powder coated textured Black RAL9005. Glossy white enameled steel whiteboards with anodized aluminum edging				
Safety / certification	CE				
Used with BalanceBox®650	Add the weights of your panel, the Winx-4b-frame and any accessories (for example the 'Winx-4b Whiteboard Lock') together, to find out which BalanceBox® 650 you need. Please contact a sales manager in your region for assistance: www.heightadjustablemounts.com/contact-en				
Dimensions	Please refer to maximum screen sizes table in this sheet for dimensions per model. VESA pattern: max. 800x600				
Shipping dimensions	481A78001	1 unit; box size:	1125 mm / 44.3"	595 mm / 23.4"	240 mm / 9.4"
		Bulk shipment: 8 units* per pallet Pallet size: 1200 x 1000 mm / 47.2" x 39.4"	1200 mm / 47.2"	1000 mm / 39.4"	1332 mm / 52.4"
		Whiteboards:	1045 mm / 41.1"	970 mm / 38.2"	50 mm / 2"
	481A79001	1 unit; box size:	1190 mm / 46.9"	735 mm / 28.9"	240 mm / 9.4"
		Bulk shipment: 8 units* per pallet Pallet size: 1200 x 1000 mm / 47.2" x 39.4"	1200 mm / 47.2"	1000 mm / 39.4"	1619 mm / 63.7"
		Whiteboards:	1195 mm / 47"	1112 mm / 43.8"	50 mm / 2"
Whiteboards ship on separate pallet. Weights are stated in table below and depending on version					
Accessories	481A13 BalanceBox® 650 Floor Support 481A80 Winx-4b Whiteboard Lock				
Whiteboards	2x double sided white enameled steel / aluminum edging With panel/screen size 70-75": 985 x 910 mm / 38.8" x 35.8" – 10 kg / 22 lbs With panel/screen size 80-86": 1135 x 1052 mm / 44.7" x 40.4" – 11 kg / 24.3 lbs				
VESA bracket	481A70 Universal VESA bracket included BalanceBox® 650 not included				

Part numbers	Description	Writable surfaces	Whiteboards	For screen sizes between	Product weight	Shipping weight
481A78001	Winx-4b 75" for BalanceBox®650	4	2	70" to 75" diag	40 kg / 88.2 lbs	48 kg / 105.8 lbs
481A79001	Winx-4b 86" for BalanceBox®650	4	2	80" to 86" diag	43,5 kg / 95.9 lbs	54 kg / 119 lbs
Weights are including 2 whiteboards						Weights are including packaging, excluding pallet

Maximum panel sizes

Part numbers	Diagonal	Height	Width	Depth
481A78001	70" to 75"	1095 mm / 43.1"	1790 mm / 70.5"	155 mm / 6.1"
481A79001	80" to 86"	1242 mm / 48.8"	2080 mm / 81.9"	155 mm / 6.1"



*Illustrations may differ slightly from reality.